

AREN

AREN
www.arenmechatronics.com

AREN TECHNOLOGY
TURNKEY AUTOMATION & TEST SYSTEM SOLUTIONS

SOLUTIONS

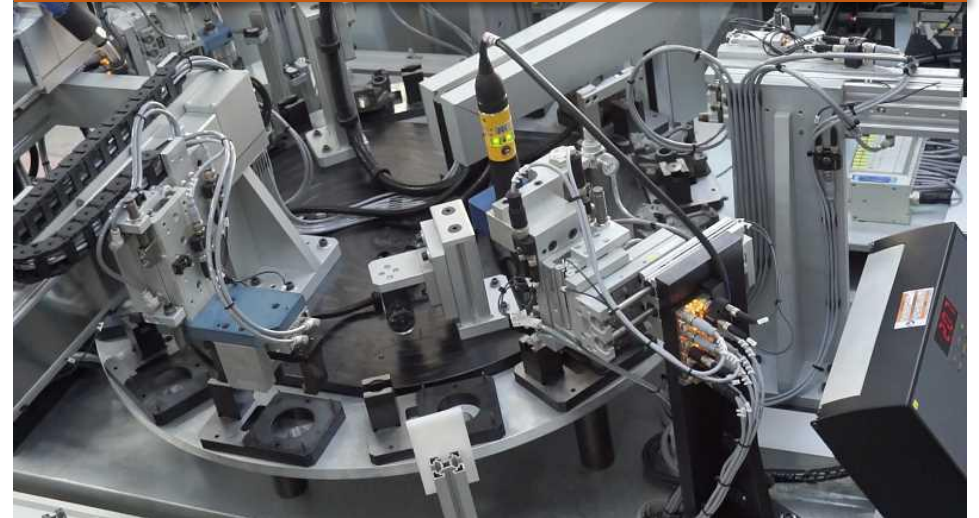
AREN

SOLUTIONS

Robotic Cells



Assembly Automation



AUTOMATION
&
TEST SYSTEM
SOLUTIONS

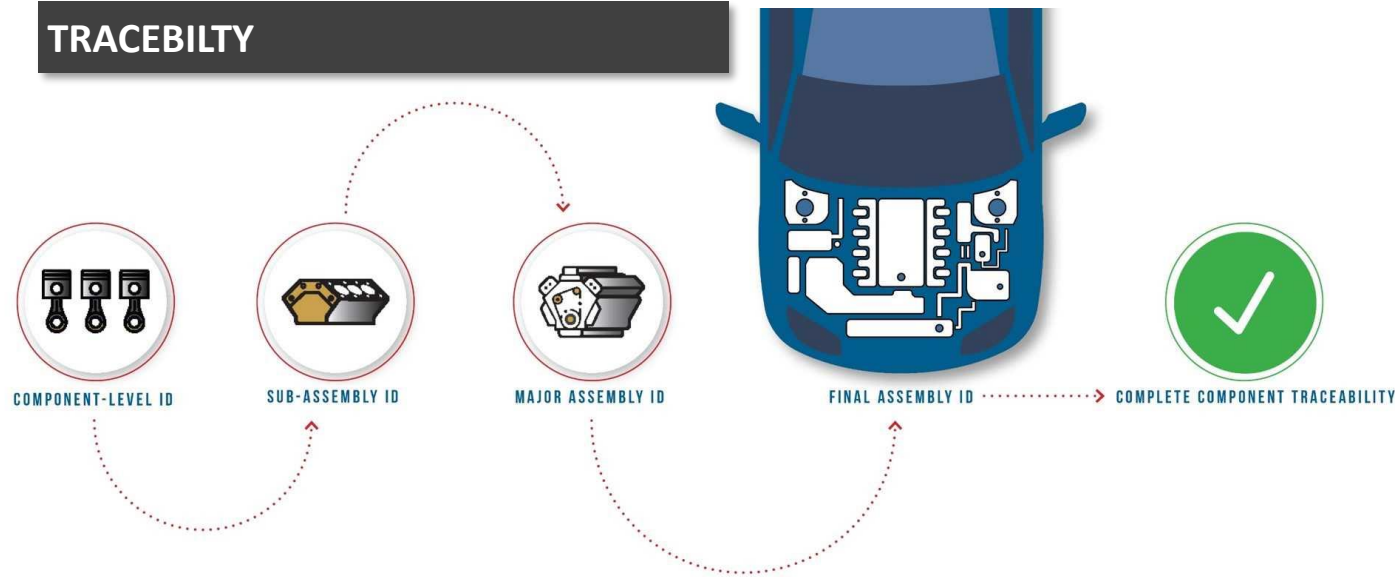


Turnkey Solutions

Software

Test Systems

TRACEBILTY



CUSTOM DESIGN

EFFICIENCY

Employee Info

Name / Surname: Ümit Gözükara
 Personnel ID: 2
 Tag ID: UWB-1

Shift Time Plan

Start Time: 08:30 2019/08/26
 End Time: 18:30 2019/08/26
 Break Duration(h): 1

Performance

Target Work Time: 9
 Actual Work Time: 2,97

Tag Status

Emp. Pos. (Xicm): 1697
 Emp. Pos. (Yicm): 549
 Last Pos. Time: 26.08.2019 16:28:57
 In Work Area?: No
 Battery (%): 100

ID	Position (Xicm)	Position (Yicm)	Position (Zicm)	Broadcast Time	Battery Level %	Tracker Name	Personel ID	Personnel Name	Çalışma alanındamı?
5	16,97	5,49	1,05	26.08.2019 16:28:57	100	UWB-1	2	Ümit Gözükara	0

DAQ

Test Edilecek Kanallar

No	Çevrim Sayısı	Son Kalibrasyon Süresi(s)	Son Açma Süresi(s)	Açışma	Hata No	Sıyapç Riset	Hata Riset
1	0	4,4	40,6	Test Yok	0		
2	0	3,8	53,1	Test Yok	0		
3	0	9,2	55,4	Test Yok	0		
4	0	4,0	56,1	Test Yok	0		
5	0	2,4	59,2	Test Yok	0		
6	0	2,5	69,9	Test Yok	0		
7	0	4,1	56,5	Test Yok	0		
8	0	1,8	61,3	Test Yok	0		
9	0	2,3	58,1	Test Yok	0		
10	0	4,5	53,7	Test Yok	0		
11	0	2,5	60,5	Test Yok	0		
12	0	5,4	51,7	Test Yok	0		
13	0	2,3	58,0	Test Yok	0		
14	0	3,8	57,8	Test Yok	0		
15	0	4,1	57,4	Test Yok	0		
16	0	4,0	46,6	Test Yok	0		
17	0	4,0	53,2	Test Yok	0		
18	0	2,1	61,8	Test Yok	0		
19	0	4,8	67,3	Test Yok	0		
20	0	3,5	52,4	Test Yok	0		

Çıkışlar

Kanal-1	Kanal-11	Kilit-1	Kilit-11
Kanal-2	Kanal-12	Kilit-2	Kilit-12
Kanal-3	Kanal-13	Kilit-3	Kilit-13
Kanal-4	Kanal-14	Kilit-4	Kilit-14
Kanal-5	Kanal-15	Kilit-5	Kilit-15
Kanal-6	Kanal-16	Kilit-6	Kilit-16
Kanal-7	Kanal-17	Kilit-7	Kilit-17
Kanal-8	Kanal-18	Kilit-8	Kilit-18
Kanal-9	Kanal-19	Kilit-9	Kilit-19
Kanal-10	Kanal-20	Kilit-10	Kilit-20

Girişler

Ana Güç

Test Durduruldu

Haberleşme

Start But. Stop But. Res. But.



Reporting

Record & Report



DB & Cloud Access



Tracibility

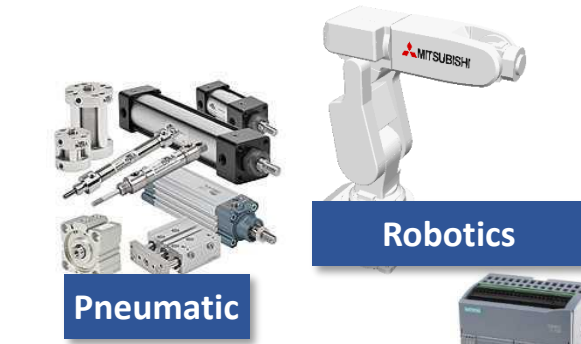
Test Software



Industrial Software

Automation Components

Mechanic Structure



Robotics

Pneumatic



PLC



Industrial Sensors



Industrial Connectors



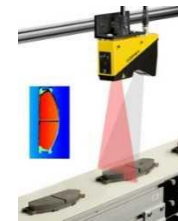
Test Hardwares



Camera&Lens



DAQ Systems



Special Sensors



3rd party measurement devices

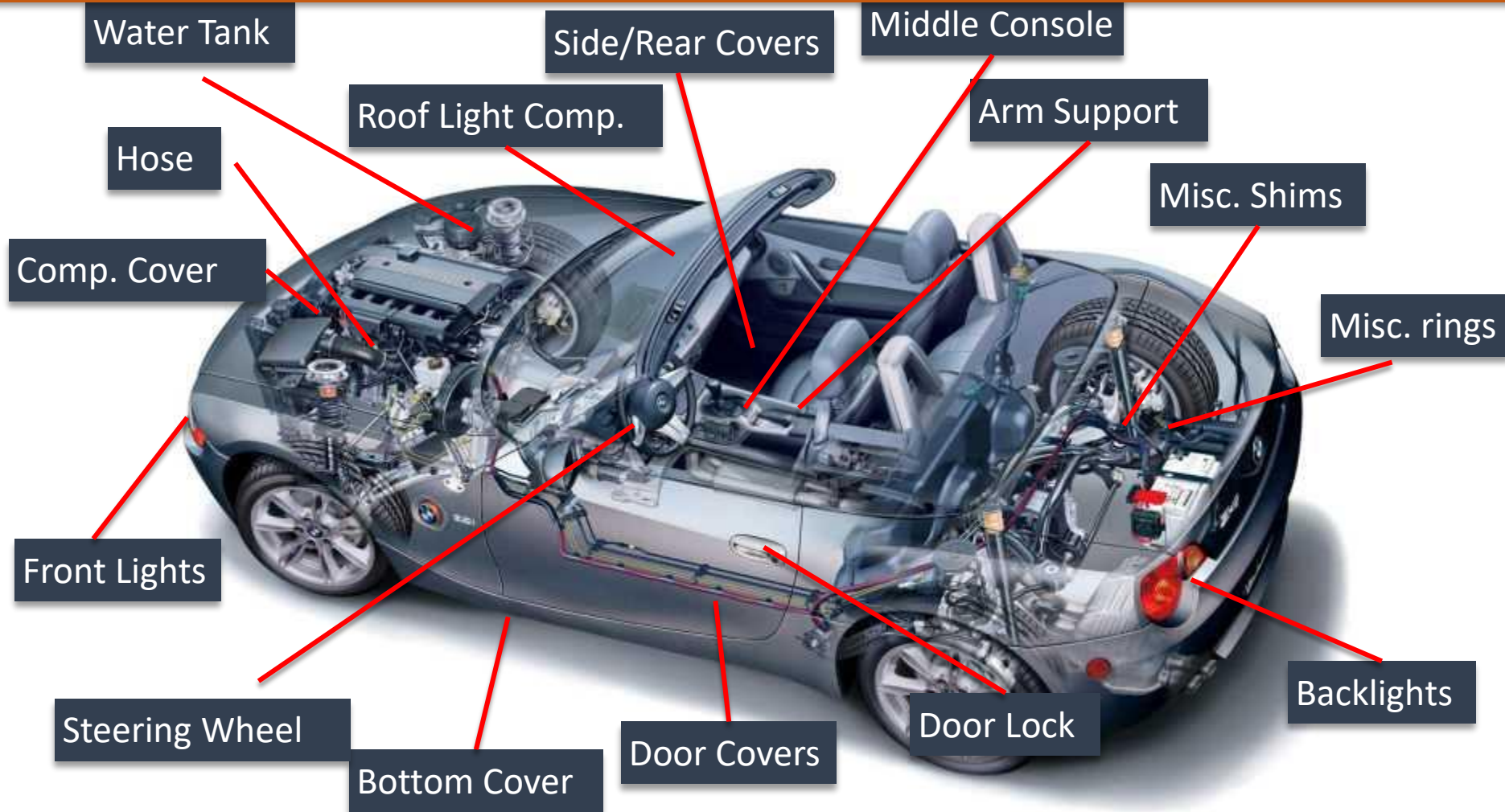
- White Goods
- Automotive
- Software
- Aviation
- Food
- Medical



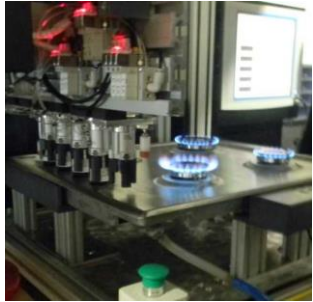
CUSTOM DESIGN

Testplan	Match	Variant %	Covered Variant	Test	Result
1	100	100	15	Unit Test 1	Passed
2	100	100	15	Unit Test 2	Passed
3	100	100	15	Integration Test 3	Passed
4	100	100	15	Integration Test 4	Passed
5	100	100	15	Unit Test 5	Passed
6	100	100	15	Unit Test 6	Passed
7	100	100	15	Unit Test 7	Passed
8	100	100	15	Unit Test 8	Passed
9	100	100	15	Unit Test 9	Passed
10	100	100	15	Unit Test 10	Passed
11	100	100	15	Unit Test 11	Passed
12	100	100	15	Unit Test 12	Passed
13	100	100	15	Unit Test 13	Passed
14	100	100	15	Unit Test 14	Passed
15	100	100	15	Unit Test 15	Passed
16	100	100	15	Unit Test 16	Passed
17	100	100	15	Unit Test 17	Passed
18	100	100	15	Unit Test 18	Passed
19	100	100	15	Unit Test 19	Passed
20	100	100	15	Unit Test 20	Passed

+100 inline and offline test & automation solutions for end products and sub components



+100 inline and offline test & automation solutions for end products and sub components



Top Table

Heat Exchanger

Steam Tank

Detergant Comp.

Drain Valve

Steam Source

Pulley

Y Valve

Condenser

Drum

Display

Handle

Heater Cover

Resistance

Sub Water Tank

Fan

Top Water Tank

Lamp

Resistance

Oven

Ice Cabinet

Doorlock

Stove

Drawer

Electronics

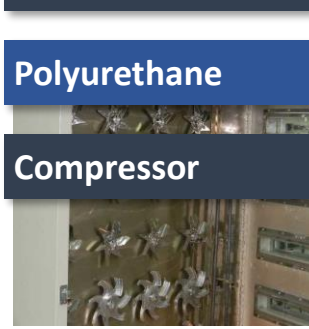
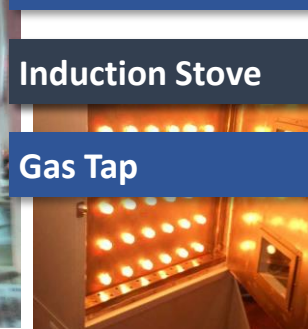
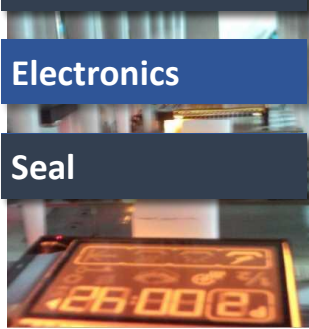
Induction Stove

Polyurethane

Seal

Gas Tap

Compressor



Function

Visual Ins.

Vibration

Leakage

Flow

Roll

Power

Elec. Safety

Lifetime

Dimension

...



Dishwasher SUMP Assembly and Test Cell

Location: U.S.A

Processes:

- Robotic Handling
- Pallet Conveying
- Visual Inspection
- Automatic Part Assembly



Washer Machine Top Table Assembly Cell

Location: Poland

Processes:

- Robotic Handling
- Robotic Gluing
- Automatic Taping
- 3D Laser Measurement

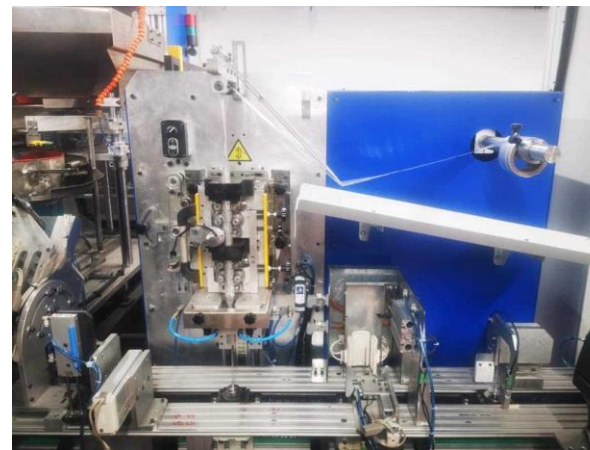
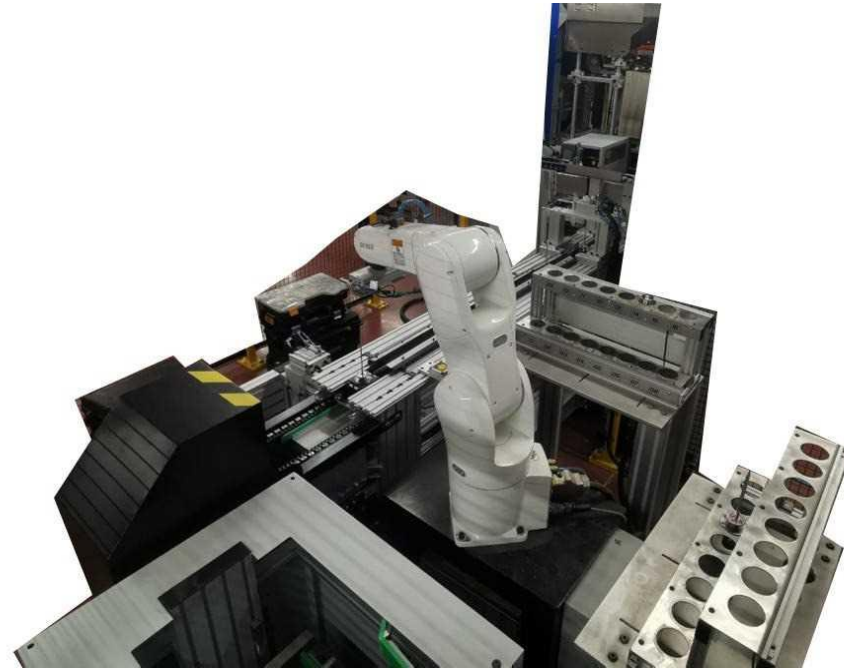


Ball Washer Packaging Cell

Location: Turkey

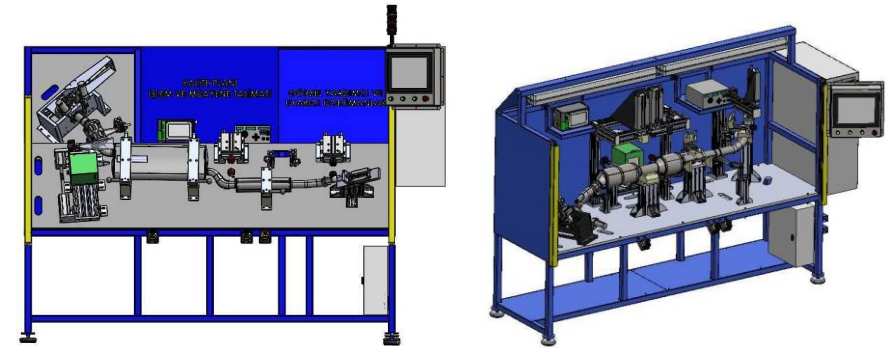
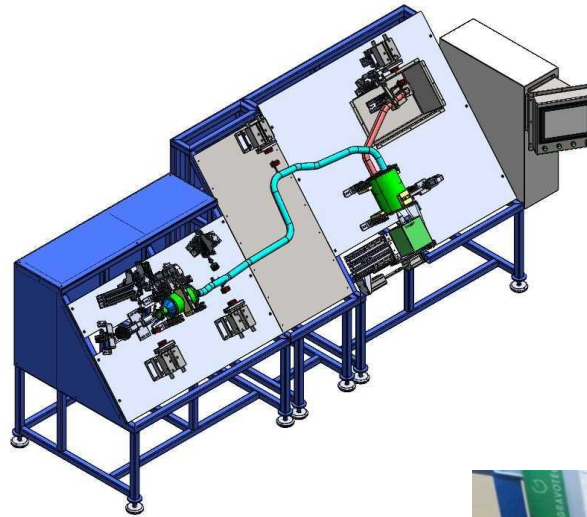
Processes:

- Vibrotary Feeders
- High Speed Stacker
- Sleeve Operation
- Robotic Handling
- Automatic Label Sticker
- Packaging
- RFID Tracking



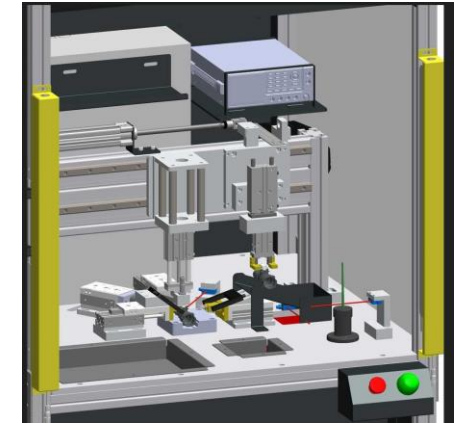
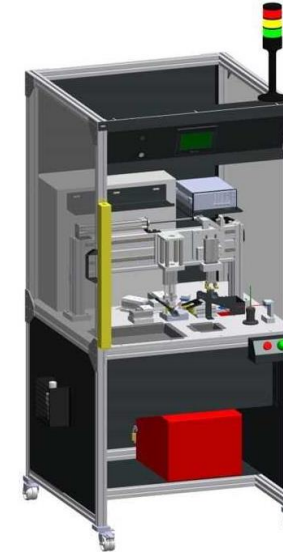
EXHAUST LEAK TEST SYSTEM

- Flange Flatness Measurement
- Valve Position Control
- Barcode Presence & Absence Check
- Barcode Reading
- Brand/Model Marking
- Marking Camera Control
- Leak Test



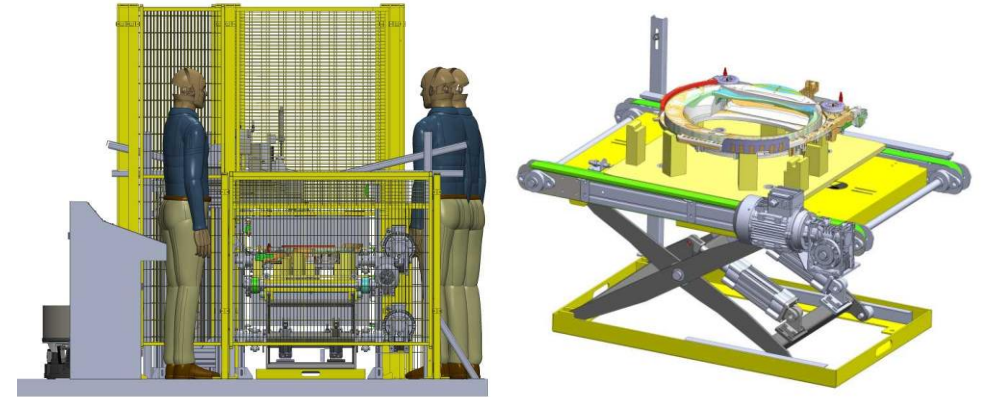
SENSOR MOUNTING AND ELECTRICAL CONTROLLER

- 4 Different Models of Sensor Installation
- Automatic Electrical Control
- Automatic OK/NOK Control
- Automatic Asset Absence Check
- Automatic Sensor Mounting
- Automatic Sensor Clip Mounting

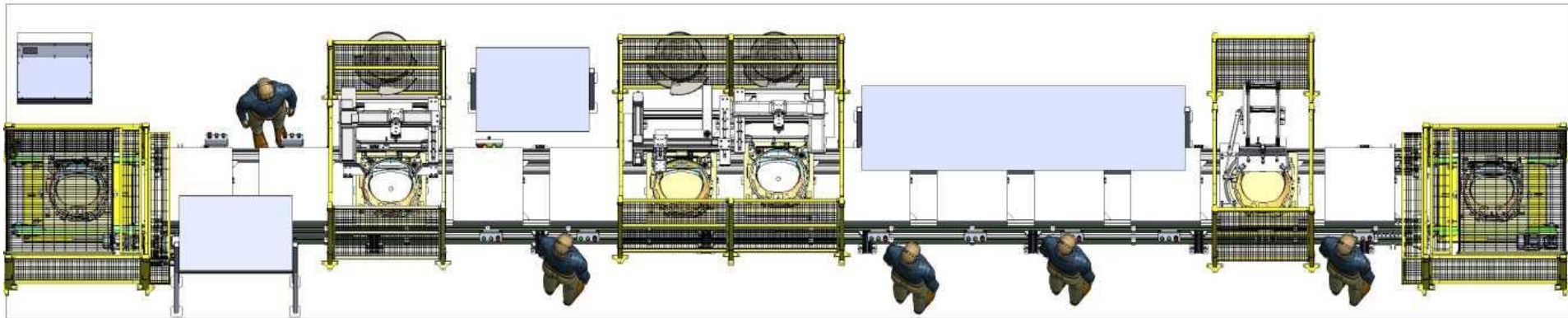


GROUPING AUTOMATION

- 4 Different Model Grouping
- Automatic Screw Feeding, Torque Controlled Tightening
- Automatic Nut Feeding, Torque Controlled Tightening
- Automatic Wheel Feeding and Assembly
- Cartesian Pick & Place Systems
- Automatic Felt Color Control

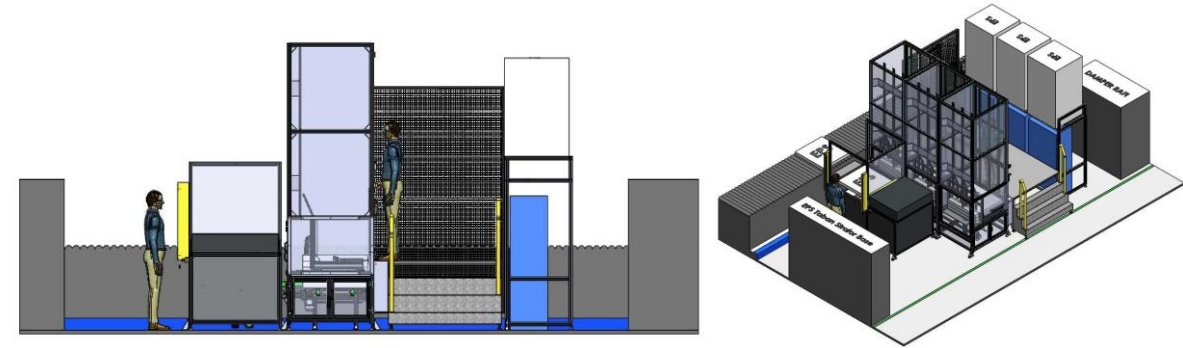


14,2 METRE														
0,9	0,9	0,9	0,9	0,9	0,9	0,9	0,9	0,9	0,9	0,9	0,9	0,9	0,9	0,9
ASANSÖR	BUFFER	SENSÖR KAPAK	OTOMATİK VIDALAMA	BUFFER	KEÇE	OTOMATİK TEKER TAKMA	SOMUN SIKMA	SENSÖR KABLO	DC LED	NOZZELE 1	NOZZEL 2	SOMUN VIDA TEKER KONTROLÜ	TEST	ASANSÖR



EPS/STYROFOAM FEEDING SYSTEM

- 5 Different Models of EPS / Styrofoam Feeding
- Automatic System Integrated In The Packaging Line
- Automatic Positioning Cells for 5 Different Styrofoam
- Automatic Transfer Conveyor Line
- Automatic Transfer Elevator System
- In-Cell Security Links



Tel: +90 533 377 20 15

E-Mail: aren@arenmechatronics.com

www.arenmechatronics.com

Office Address : Teknopark Ankara TGB Yerleşkesi İvedik OSB Mah. 2224.Cadde No:1/116-15B
Yenimahalle / ANKARA / TURKEY

Factory Address : Saray Mahallesi Gökkuşuğu Caddesi 133.Sokak No:12C/3
Kahramankazan / ANKARA / TURKEY

Follow us on our social media accounts: [#arenmechatronics](#)